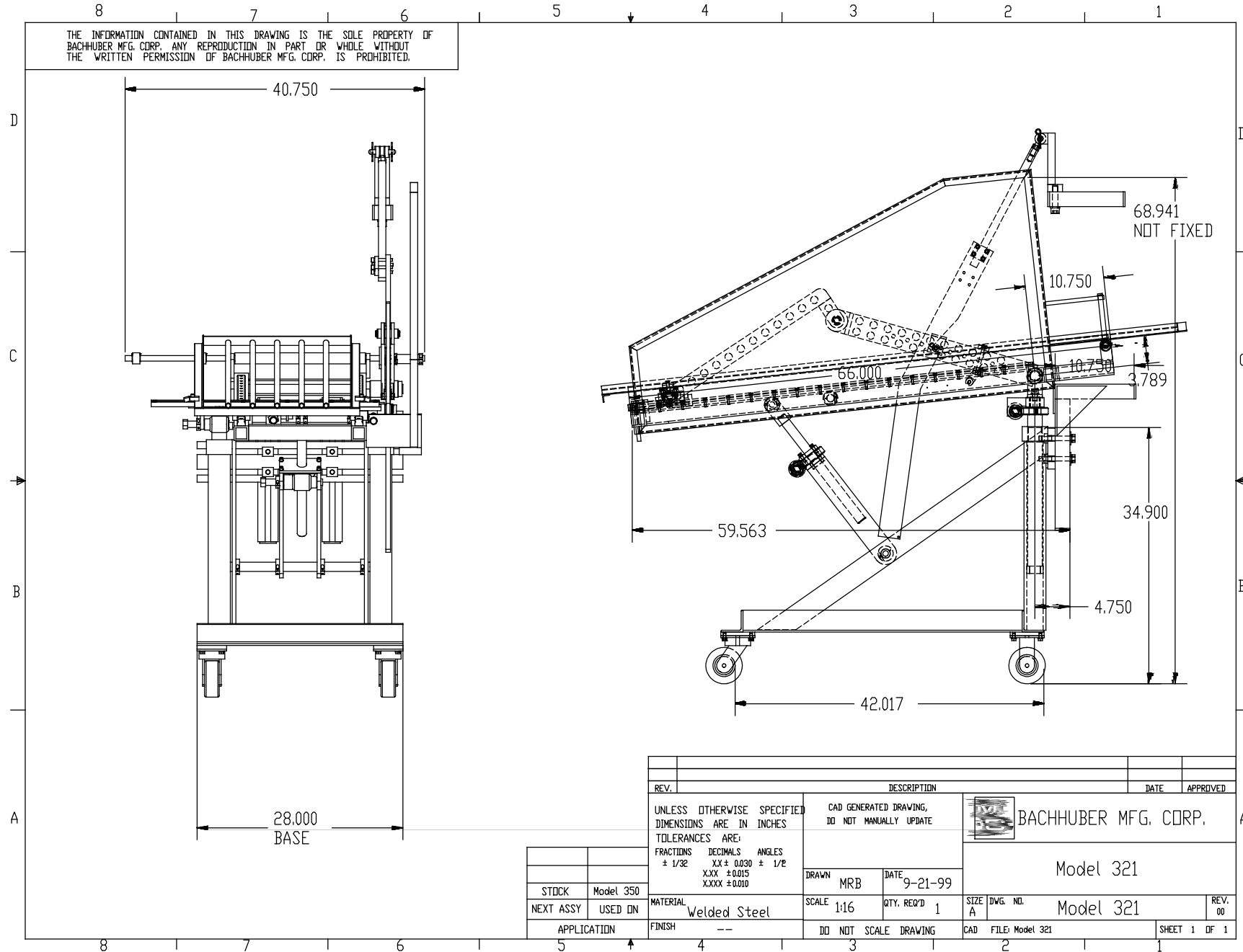


THE INFORMATION CONTAINED IN THIS DRAWING IS THE SOLE PROPERTY OF BACHHUBER MFG. CORP. ANY REPRODUCTION IN PART OR WHOLE WITHOUT THE WRITTEN PERMISSION OF BACHHUBER MFG. CORP. IS PROHIBITED.



REV.	DESCRIPTION	DATE	APPROVED
	UNLESS OTHERWISE SPECIFIED DIMENSIONS ARE IN INCHES TOLERANCES ARE: FRACTIONS DECIMALS ANGLES ± 1/32 .XX ± 0.030 ± 1/2° XXX ± 0.015 XXX ± 0.010		
	CAD GENERATED DRAWING, DO NOT MANUALLY UPDATE		
			BACHHUBER MFG. CORP.
			Model 321
		DRAWN MRB DATE 9-21-99	
	MATERIAL Welded Steel	SCALE 1:16 QTY. REQ'D 1	SIZE A DWG. NO. Model 321 REV. 00
	FINISH --	DO NOT SCALE DRAWING	CAD FILE: Model 321 SHEET 1 OF 1

STOCK	Model 350
NEXT ASSY.	USED IN
APPLICATION	